

COLUMBUS CORUM

No opal diffuser, no loss of light, no better LED Luminaire

FernHoward

Lighting

CORUM RANGE



Slim yet vandal resistant, the energy efficient Columbus Corum is IP65 rated and exceptionally robust, thanks to its screwed-down polycarbonate diffuser, rigidly constructed polycarbonate base and strong, symmetrical shape.

The new Corum Light Module creates pleasant and perfectly uniform light without the need for an opal diffuser to conceal harsh LED light spots.



FEATURES

- Highly energy efficient EdgeLED™ optical system with a life span of 30,000 hours (L70)
- IP65 – formed-in-place foam gasket protects against dust and water
- Flush fit to fixing surface ensures vandal resistance
- Retained diffuser screws
- Security screws available

APPLICATIONS

Ideal for internal and external applications where durability is important, the Columbus Corum is perfectly suited for housing associations, sports areas, walkways, car parks and loading bays.



MATERIAL & FINISH

- Robust polycarbonate body in black or white
- Clear polycarbonate diffuser

INSTALLATION & MOUNTING

- One-component hinged Light Module and Time-in-a-Box packaging for swift and easy installation
- BESA box fixing points for easy cable entry
- Wall or ceiling mountable
- Exterior or interior use



All standard **Light Management Options** are available, including 3h Emergency, Auto Test, Microwave Sensor, Photocell, DALI, Dimming and Corridor Function.



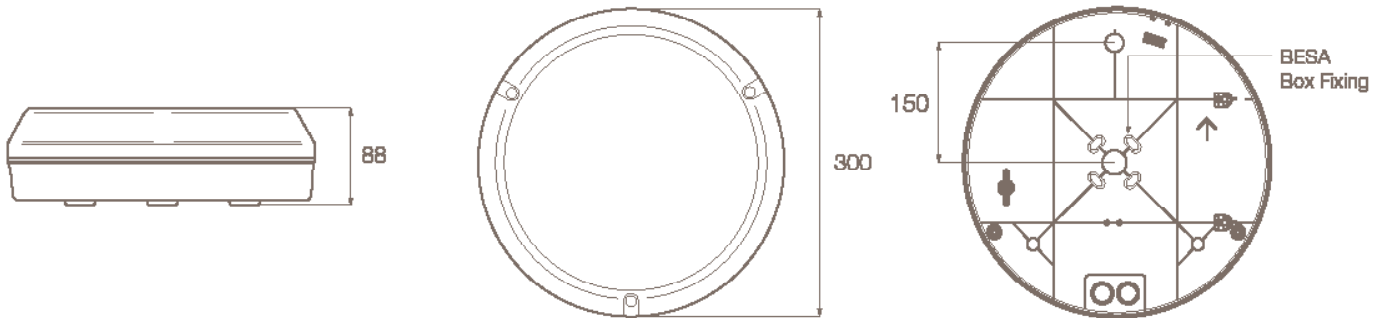
Designed and Manufactured in the UK

For more Information call 01420 470 400 email lighting@fernhoward.com or visit www.fernhoward.com

COLUMBUS CORUM



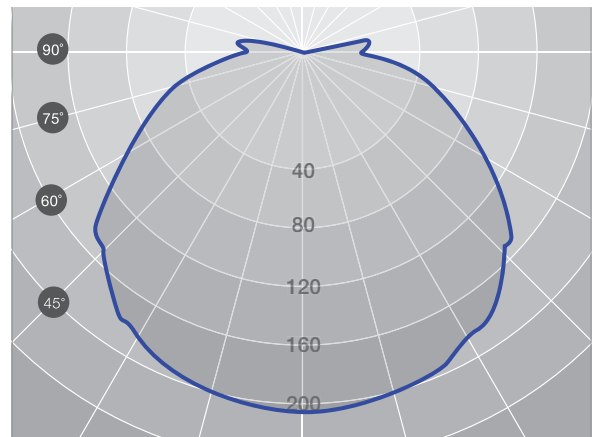
DIMENSIONS



TECHNICAL INFORMATION

Columbus Corum		
Product Code:	FHML-965-080	FHML-965-140
Base Colour	White or Black	
Diffuser Option	Clear	
Lumen Output (Lumens)	720	1,220
System Power Consumption (W)	11	22
Colour Temperature (K)	4,000	
CRI (Ra)	>85	
Life (L85 Hours)	30,000 (L70)	
Efficacy (Lumens Per Circuit Watt)	66	56
Specification Options:		
3hr Emergency	✓	✓
Auto Test	✓	✓
Microwave Sensor	✓	✓
Photocell	✓	✓
Dali	✓	✓
Corridor Function	✓	✓
Dimming	✓	✓
Weight (kg)	1.3	
Dimensions (mm)	Ø 300 x 88	
Mounting Type	Wall & Ceiling	

LIGHT DISTRIBUTION



cd/klm

$\eta = 100\%$

— C90 - C270*

STANDARDS



Rambus
Lighting Technology



Fern-Howard products are manufactured in the UK at our modern factory in Alton, Hampshire. Luminaires are manufactured and tested in accordance with BS EN60598. Incorporated control gear and components comply with BS/VDE standards. Luminaires are tested in accordance with IES LM-79-08.

Fern-Howard, 2 Newman Lane, Alton, Hampshire, GU34 2QR, United Kingdom.

Registered in England Reg. No. 3202749. We reserve the right to alter specifications without notice in accordance with our policy of continuous product improvement. Design and copyright reserved and our standard Term & Conditions apply. Full details of our warranty can be found on our website.