

## MINI-MAX CORUM

No opal diffuser, no loss of light, no better LED Luminaire

**FernHoward**  
Lighting

CORUM RANGE



Highly energy efficient and vandal resistant, the Mini-Max Corum is IP65 rated with a screwed down polycarbonate diffuser and rigidly constructed polycarbonate base.

The new Corum Light Module creates pleasant and perfectly uniform light without the need for an opal diffuser to conceal harsh LED light spots.

IP65 IK10 Edge LED

### FEATURES

- Highly energy efficient EdgeLED™ optical system with a life span of 30,000 hours (L70)
- IP65 – formed-in-place foam gasket protects against dust and water
- Smooth external edges for vandal resistance and easy cleaning
- Retained diffuser screws
- Security screws available

### APPLICATIONS

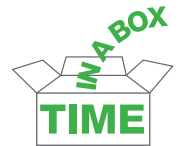
Its strength and robustness makes the Mini-Max Corum perfect for internal and external applications in housing associations buildings, youth centres and sports areas as well as walkways, car parks and loading bays.

### MATERIAL & FINISH

- Robust polycarbonate body in black or white
- Clear polycarbonate diffuser

### INSTALLATION & MOUNTING

- One-component hinged Light Module and Time-in-a-Box packaging for swift and easy installation
- BESA box fixing points for easy cable entry
- Wall or ceiling mountable
- Exterior or interior use



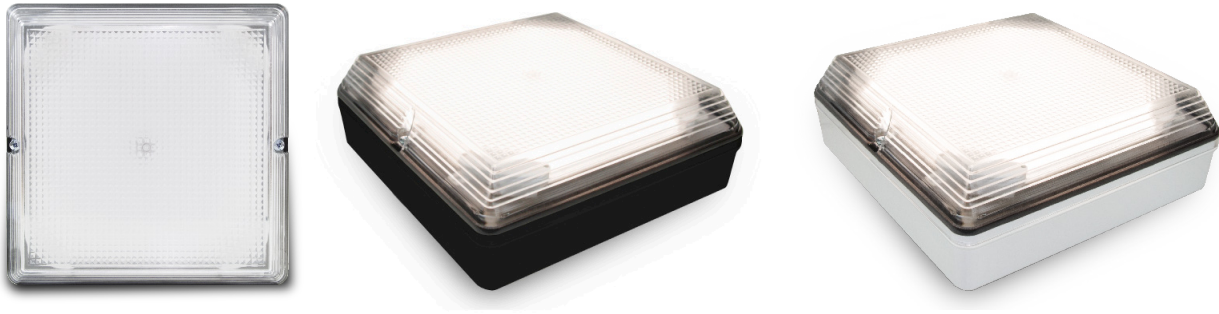
All standard **Light Management Options** are available, including 3h Emergency, Auto Test, Microwave Sensor, Photocell, DALI, Dimming and Corridor Function.



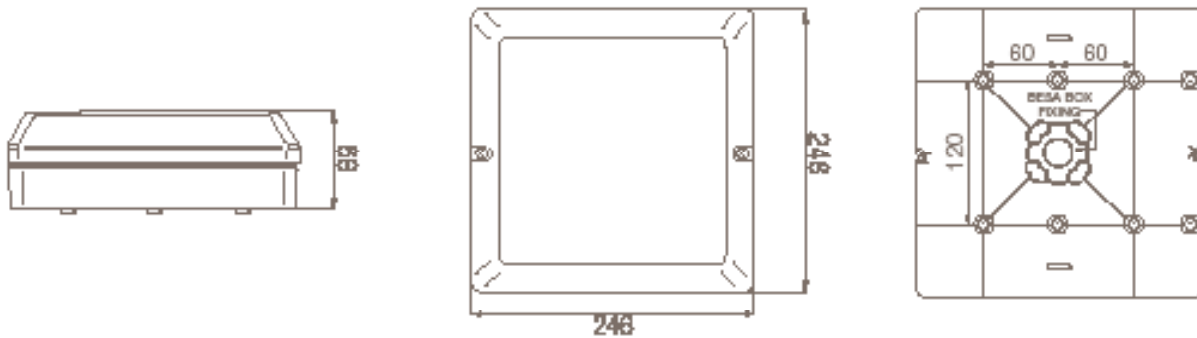
Designed and Manufactured in the UK

For more Information call 01420 470 400 email [lighting@fernhoward.com](mailto:lighting@fernhoward.com) or visit [www.fernhoward.com](http://www.fernhoward.com)

# MINI-MAX CORUM



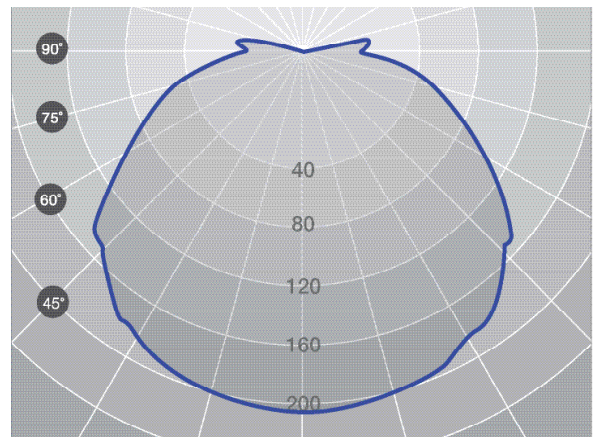
## DIMENSIONS



## TECHNICAL INFORMATION

Mini-Max Corum		
Product Code:	FHML-565-080	FHML-565-140
Base Colour	White or Black	
Diffuser Option	Clear	
Lumen Output (Lumens)	720	1,220
System Power Consumption (W)	11	22
Colour Temperature (K)	4,000	
CRI (Ra)	>85	
Life (Hours)	30,000 (L70)	
Efficacy (Lumens Per Circuit Watt)	66	56
Specification Options:		
3hr Emergency	✓	✓
Auto Test	✓	✓
Microwave Sensor	✓	✓
Photocell	✓	✓
Dali	✓	✓
Corridor Function	✓	✓
Dimming	✓	✓
Weight (kg)	1.2	
Dimensions (mm)	246 x 246 x 89	
Mounting Type	Wall & Ceiling	

## LIGHT DISTRIBUTION



cd/klm

$\eta = 100\%$

— C90 - C270\*

## STANDARDS



**Rambus**  
Lighting Technology



Fern-Howard products are manufactured in the UK at our modern factory in Alton, Hampshire. Luminaires are manufactured and tested in accordance with BS EN60598. Incorporated control gear and components comply with BS/VDE standards. Luminaires are tested in accordance with IES LM-79-08.

Fern-Howard, 2 Newman Lane, Alton, Hampshire, GU34 2QR, United Kingdom.

Registered in England Reg. No. 3202749. We reserve the right to alter specifications without notice in accordance with our policy of continuous product improvement. Design and copyright reserved and our standard Term & Conditions apply. Full details of our warranty can be found on our website.