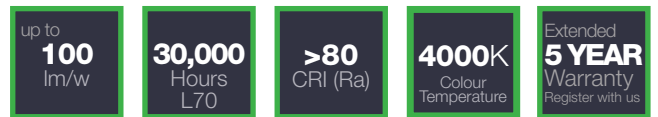


CUTLASS

LED Flat Ceiling Panel



Elegant, slim and highly energy efficient, entry-level LED ceiling panel that produces pleasant uniform light with minimal glare



FEATURES

- Integral Edge-lit LED light panel provides exceptional optical efficiency and light distribution - a reduced number of fixtures is required in a typical installation
- Contemporary metal housing with a white powder coated steel frame
- Lightweight and durable
- Easy to clean wipe-over surface
- Drastically reduced running and maintenance costs
- Qualifying for ECA support
- UGR 19

SUITABLE FOR

retrofit, refurbishment or new build

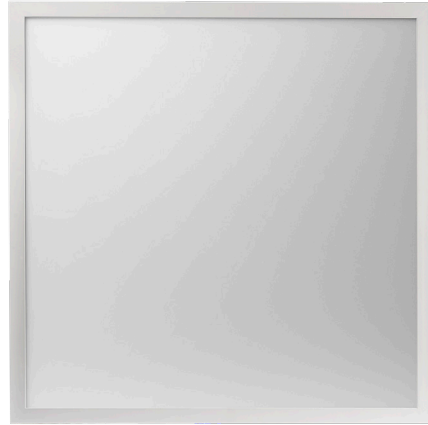
- Quick-connect driver
- Ultra slim profile (11 mm)
- Suitable for T-bar ceiling grids
- Mounting accessories available for different ceiling types:
 - surface mount box
 - suspension kit
 - recessed ceiling frame
 - metal pan ceiling tile
- Pre-fitted suspension hooks

TYPICAL APPLICATIONS

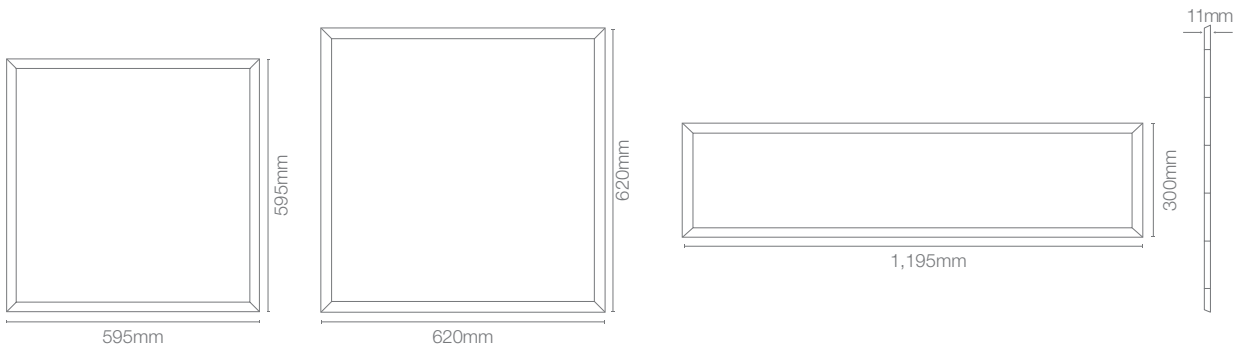
Ideal for office and education applications



CUTLASS



TECHNICAL INFORMATION



Dimensions:

595 x 595 x 11mm
 620 x 620 x 11mm
 300 x 1,195 x 11mm

Weight:

3.0kg

Mounting type:



Recessed Ceiling

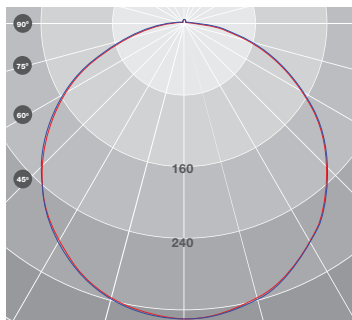
Base Colour Options:

White Frame

Diffuser Options:

Opal Diffuser

LIGHT DISTRIBUTION

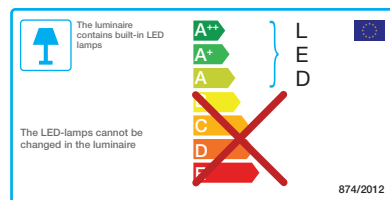


cd/klm $\eta = 100\%$
 — C0 - C180 — C90 - C270

Opal Diffuser

Photometric files at www.fernhoward.com

STANDARDS



CUTLASS

ORDERING GUIDE

Standard Product Code	Light Management Options Suffix*								Performance Data		
	DALI	Dimming	Corridor Function	3hr Emergency	Self-Test	DALI Emergency	Microwave Sensor	Photocell	Lumen Output lm	Wattage W	Efficacy lm/W
Cutlass											
FHML600-300-W-OP	DA	DIM	-	EM	AT	DAEM	-	-	3000	30	100
FHML625-300-W-OP	DA	DIM	-	EM	AT	DAEM	-	-	3000	30	100
FHML1200-300-W-OP	DA	DIM	-	EM	AT	DAEM	-	-	3000	30	100

FHML600-300-W-OP - DAEM

Lumen Output in EM: 300lm

Example Code: Cutlass 30W with DALI Emergency

*Most combinations are possible except the following:

- DA & DIM - Dimming and DALI cannot be combined
- AT & EM - AT represents Self-Test Emergency configuration
- DA = DALI on Mains Driver only, DAEM = DALI on Emergency Driver only
DA and DAEM can be combined

Luminaires are manufactured and tested in accordance with BS EN60598.
Incorporated control gear and components comply with BS/VDE standards.
Luminaires are tested in accordance with IES LM-79-08.

Fern-Howard, 2 Newman Lane, Alton, Hampshire, GU34 2QR, UK. Call +44 (0)1420 470 400 or email lighting@fernhoward.com

Registered in England Reg. No. 3202749. We reserve the right to alter specifications without notice in accordance with our policy of continuous product improvement. Design and copyright reserved and our standard Term & Conditions apply. Full details of our warranty can be found on our website.