

DROP EXIT SIGN

LED Emergency Lighting

FernHoward
Lighting



Double-sided suspended LED emergency exit sign with exit legend (Right/Left).

IP20

LED

3hr
EM

30,000
Hours
L70

EM Output
25 Lumens

Extended
3 YEAR
Warranty
Register with us
excl. batteries

FEATURES

- 3 hour maintained or non-maintained
- Durable Polycarbonate body with suspended acrylic blades with exit legends
- Interchangeable legends
- Range of legends available (arrow Right/Left supplied as standard)
- IP20
- Visible from 30m

SIMPLE TO INSTALL AND USE

- 3.6V 800mAh NI-CD batteries included
- Built-in test switch
- Ceiling mountable

TYPICAL APPLICATIONS

Offices, open areas, staircases, corridors and other escape routes that must be lit when power has failed

- Maintained or non-maintained

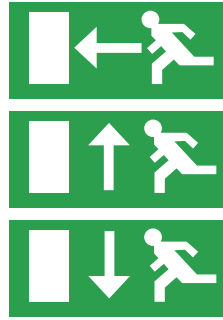


For more Information call +44 (0)1420 470 400 email lighting@fernhoward.com or visit www.fernhoward.com

DROP EXIT SIGN



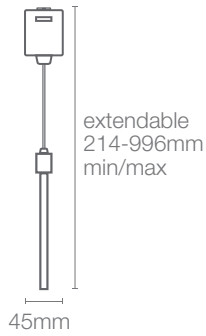
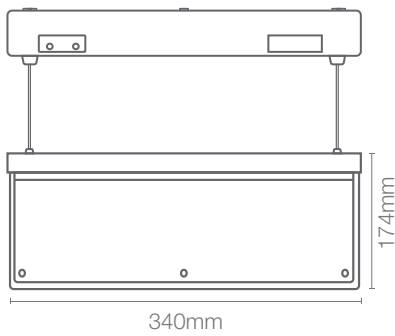
Legends available to order



Maximum viewing distance for exit and safety signs based on viewing distances given in BS 5266 pt7/EN 1838 as 200 x Sign Height for internally illuminated signs.

30m Max Viewing Distance.

TECHNICAL INFORMATION



Dimensions:

340 x 45 x 214/996mm

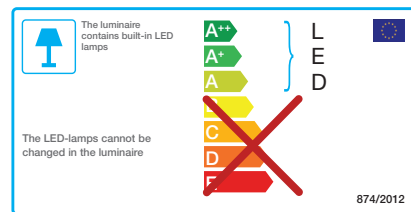
Mounting type:



Weight:

1.02kg

STANDARDS



ORDERING GUIDE

Standard Product Code		Performance Data	
	Description	Lumen Output EM lm	Emergency Time
Drop Sign Exit			
FHBL558-R-W-EM	Drop Exit Sign with Right Exit Legend	25	3 hrs
FHS905	Exit Legend for Drop Exit Sign - LEFT/RIGHT	-	-
FHS907	Exit Legend for Drop Exit Sign - DOWN	-	-
FHS908	Exit Legend for Drop Exit Sign - UP	-	-

Luminaires are manufactured and tested in accordance with BS EN60598. Incorporated control gear and components comply with BS/VE standards. Luminaires are tested in accordance with IES LM-79-08.