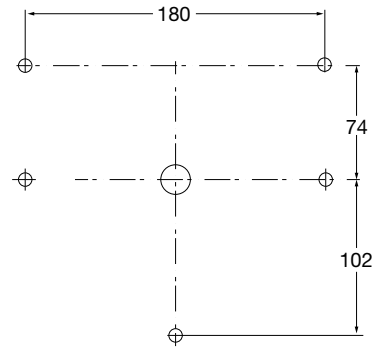


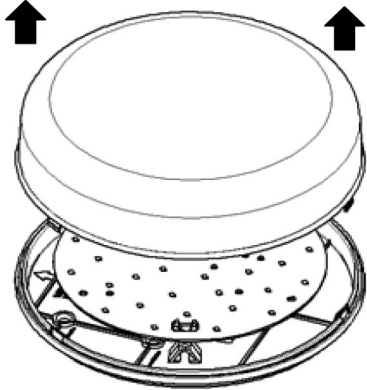
Installation Instructions - Icebreaker LED



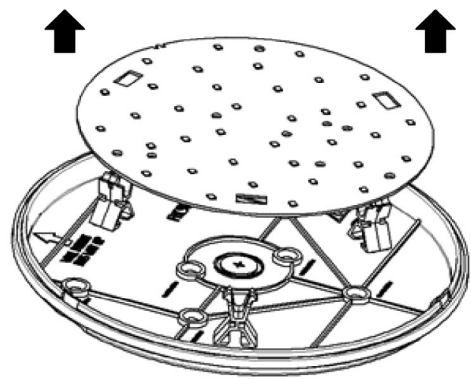
1



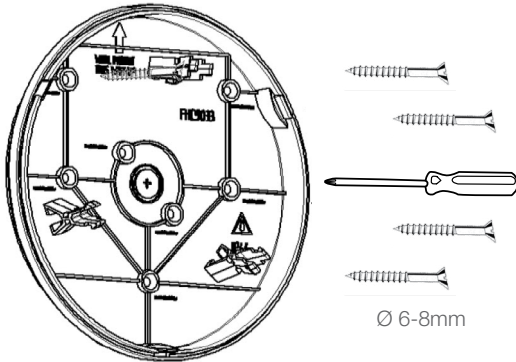
2



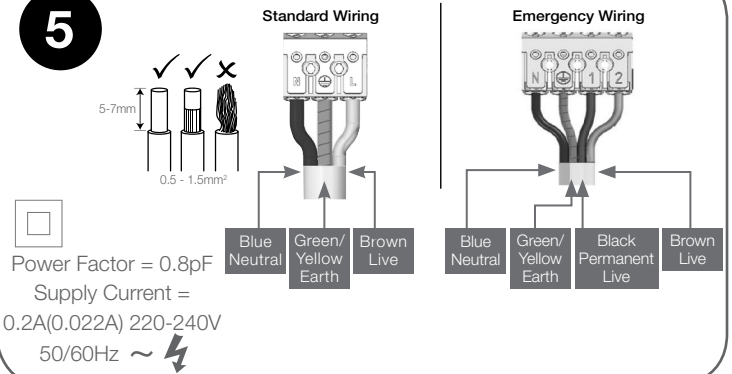
3



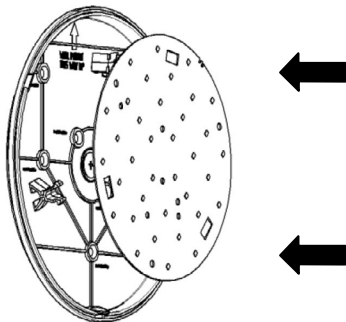
4



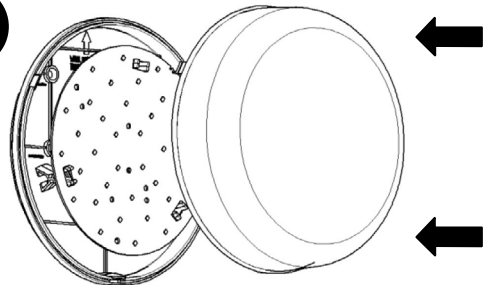
5



6



7



8



Circuit Breaker Type	No. of Products
C10	50
C13	65
C16	80
C20	100
B10	30
B13	39
B16	48
B20	60

Icebreaker	
Part Ref	FHBL-20-095
Lumen o/p	900 lm
Wattage	14W
Colour Temp	4000 K
CRI	83 Ra

SUITABLE FOR LOOPING IN



For more Information call 01420 470 400 email lighting@fernhoward.com or visit www.fernhoward.com

Fern-Howard, 2 Newman Lane, Alton, Hampshire, GU34 2QR, United Kingdom.

FHL430 | ISSUE 4 | JAN2016

It is the responsibility of the installer to ensure correct installation. Fern-Howard do not accept any loss or damage to the product, private property and/or persons due to inadequate or incorrect installation. Fern-Howard reserve the right to alter the specifications and/or improve products without prior notice.