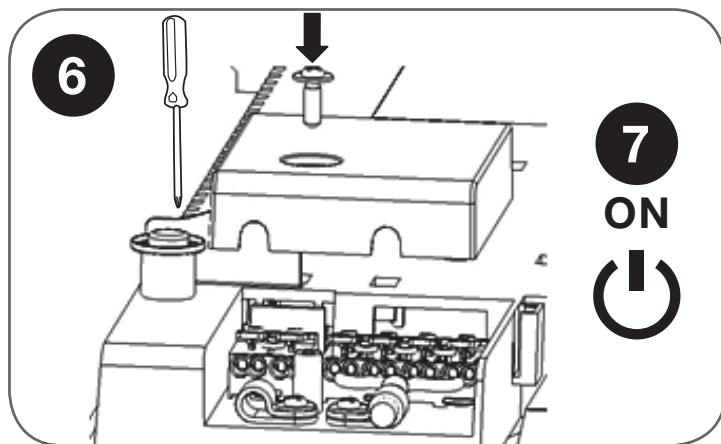
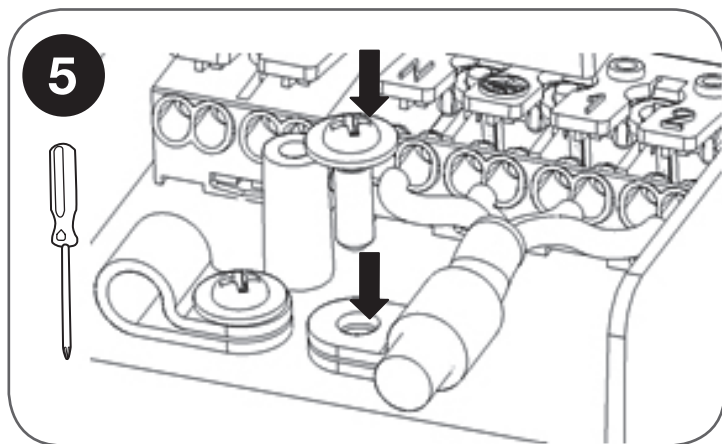
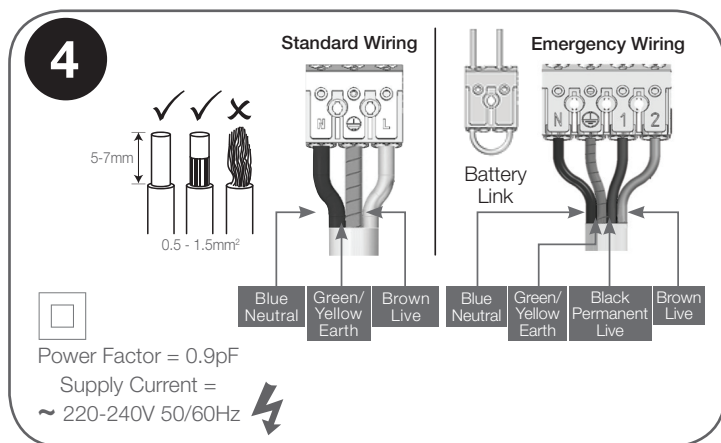
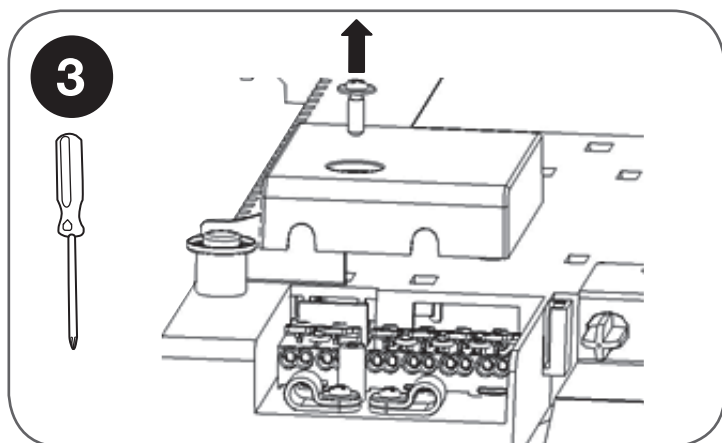
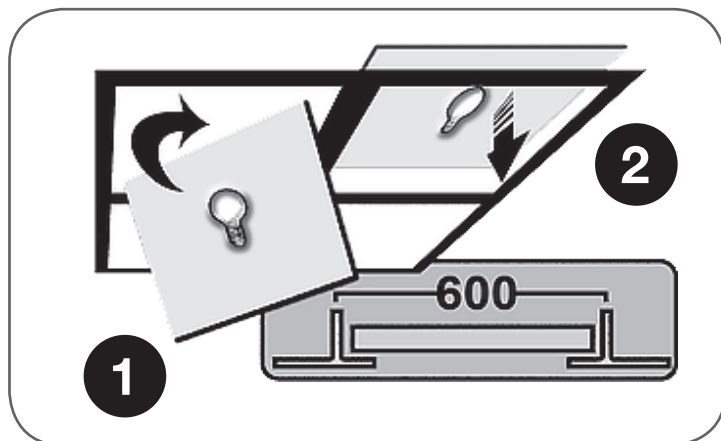
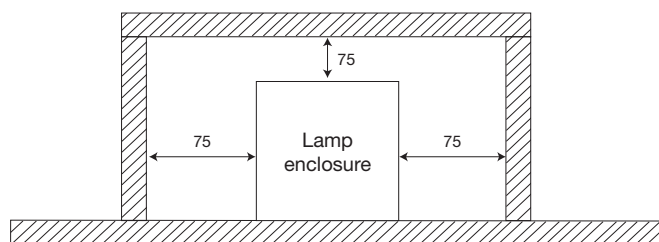


Installation Instructions - Sabre300



	SABRE300
Part Ref	FHML-300-250
Lumen o/p	3000 lm
Wattage	35W
Colour Temp	4000K
CRI	82 Ra

Circuit Breaker Type	No. of Products
C10	50
C13	65
C16	80
C20	100
B10	30
B13	39
B16	48
B20	60



For more Information call 01420 470 400 email lighting@fernhoward.com or visit www.fernhoward.com

Fern-Howard, 2 Newman Lane, Alton, Hampshire, GU34 2QR, United Kingdom.

FHL433 | ISSUE 3 | SEP2016

It is the responsibility of the installer to ensure correct installation. Fern-Howard do not accept any loss or damage to the product, private property and/or persons due to inadequate or incorrect installation. Fern-Howard reserve the right to alter the specifications and/or improve products without prior notice.