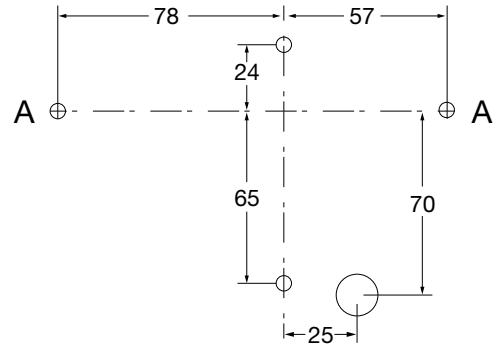


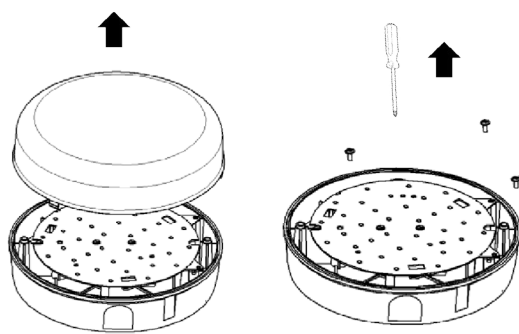
Installation Instructions - Drum LED



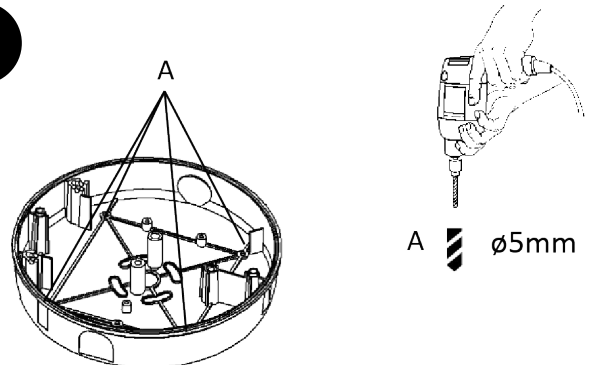
1



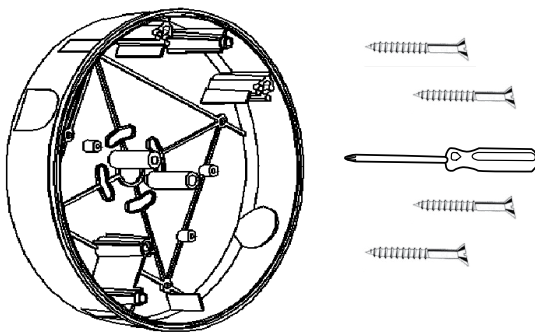
2



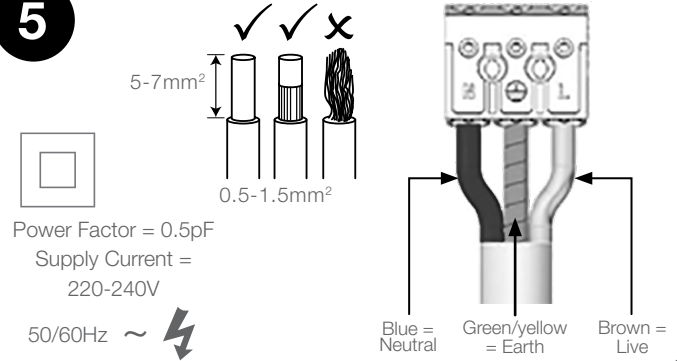
3



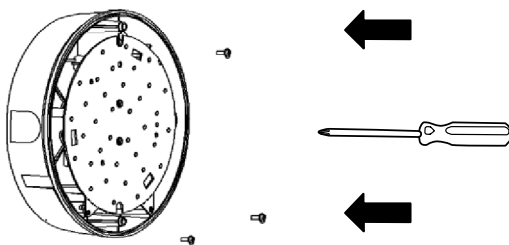
4



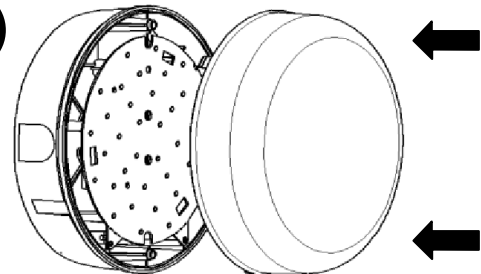
5



6



7



8



Circuit Breaker Type	No. of Products	Drum	
C10	50	Part Ref	FHBL-50-075-B/W-OP/CL
C13	65	Lumen o/p	750 lm
C16	80	Wattage	11W
C20	100	Colour Temp	4000 K
B10	30	CRI	83 Ra
B13	39		
B16	48		
B20	60		

SUITABLE FOR LOOPING IN



For more Information call 01420 470 400 email lighting@fernhoward.com or visit www.fernhoward.com

Fern-Howard, 2 Newman Lane, Alton, Hampshire, GU34 2QR, United Kingdom.

FHL436 | ISSUE 3 | JAN2016

It is the responsibility of the installer to ensure correct installation. Fern-Howard do not accept any loss or damage to the product, private property and/or persons due to inadequate or incorrect installation. Fern-Howard reserve the right to alter the specifications and/or improve products without prior notice.