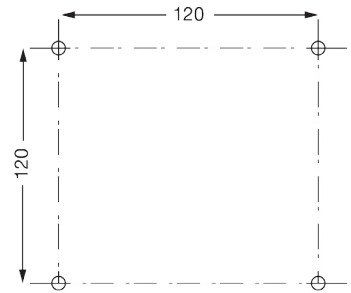


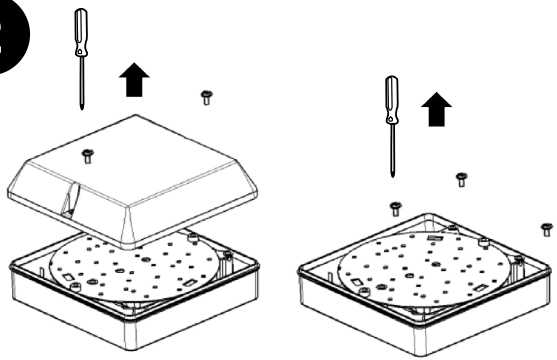
## Installation Instructions - MicroMax LED



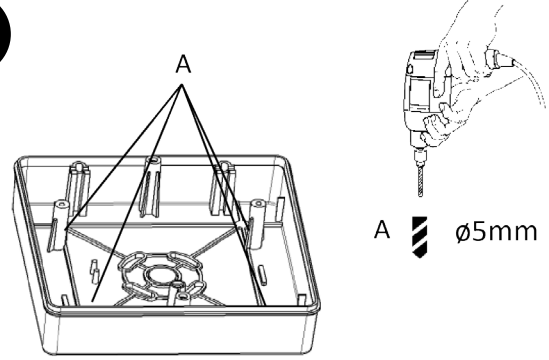
**1**



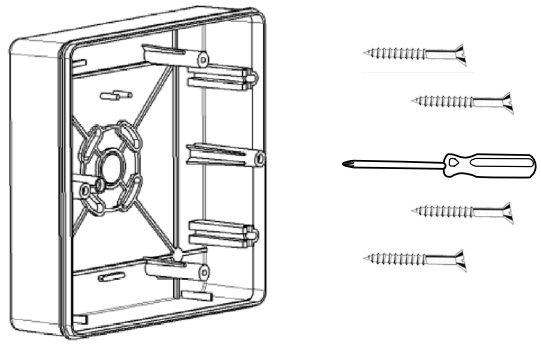
**2**



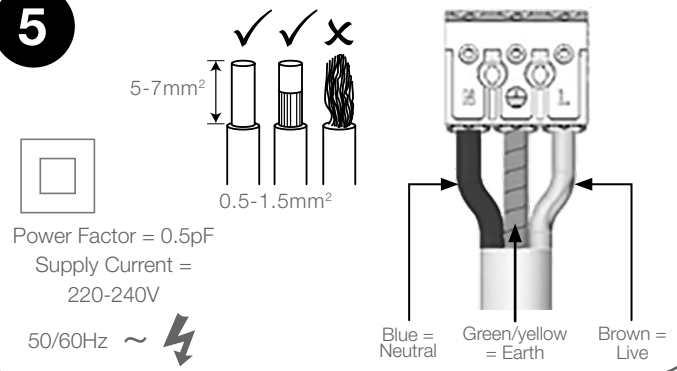
**3**



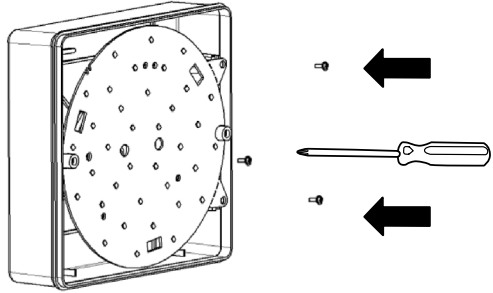
**4**



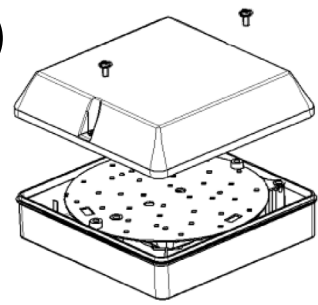
**5**



**6**



**7**



**8**



Circuit Breaker Type	No. of Products
C10	50
C13	65
C16	80
C20	100
B10	30
B13	39
B16	48
B20	60

MicroMax	
Part Ref	FHBL-60-075-B/W-OP/CL
Lumen o/p	600 lm
Wattage	11W
Colour Temp	4000 K
CRI	83 Ra

SUITABLE FOR LOOPING IN



For more Information call 01420 470 400 email [lighting@fernhoward.com](mailto:lighting@fernhoward.com) or visit [www.fernhoward.com](http://www.fernhoward.com)