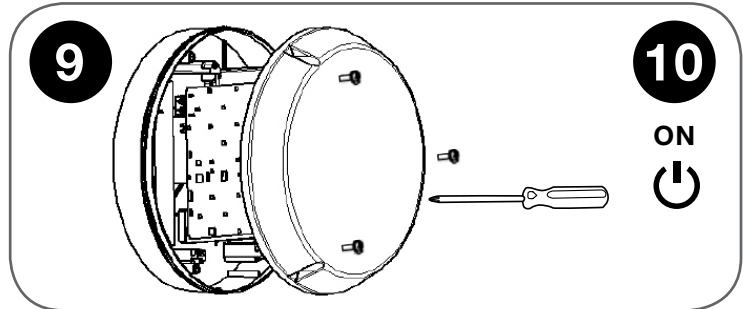
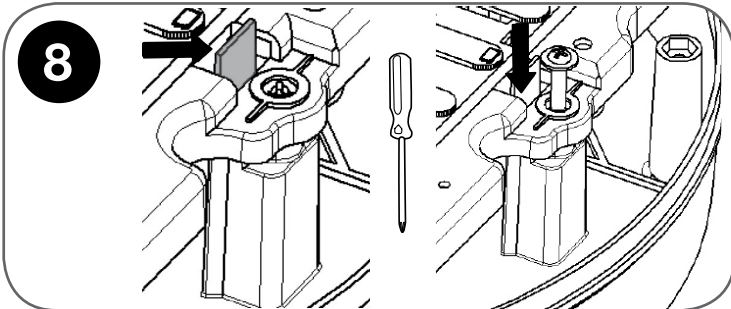
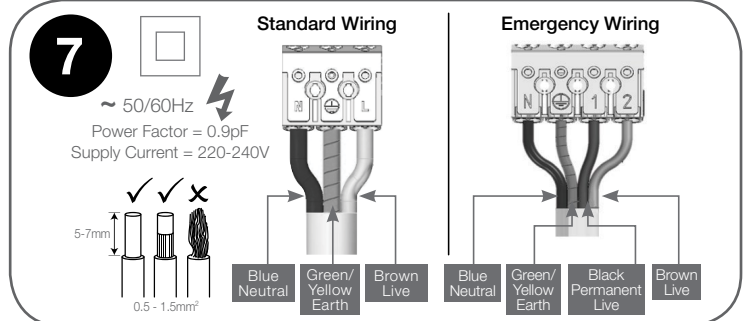
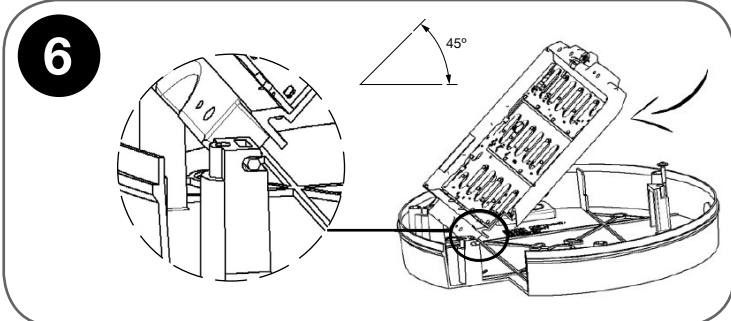
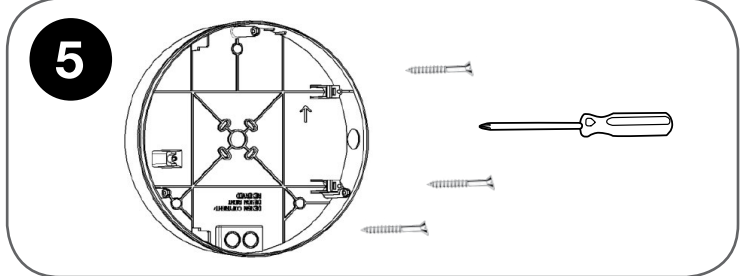
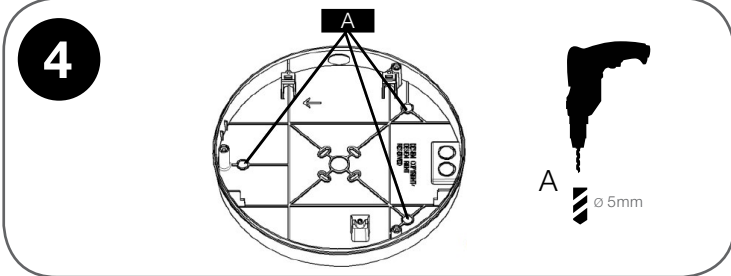
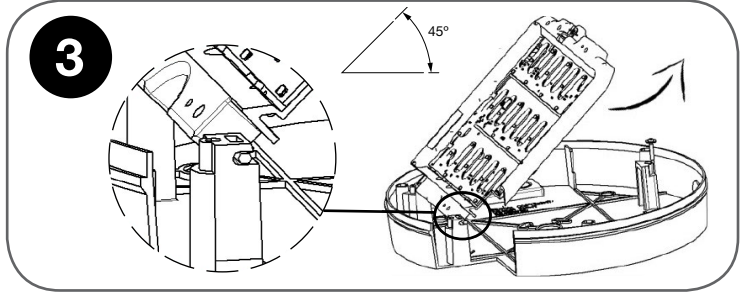
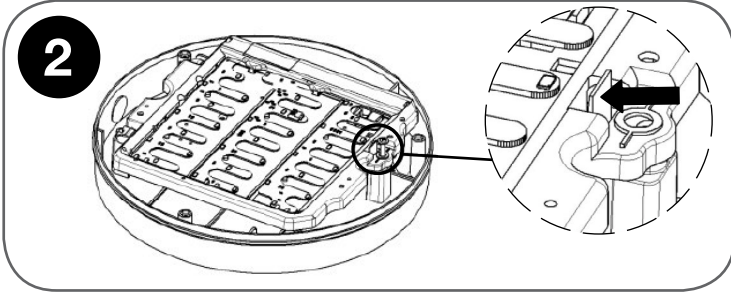
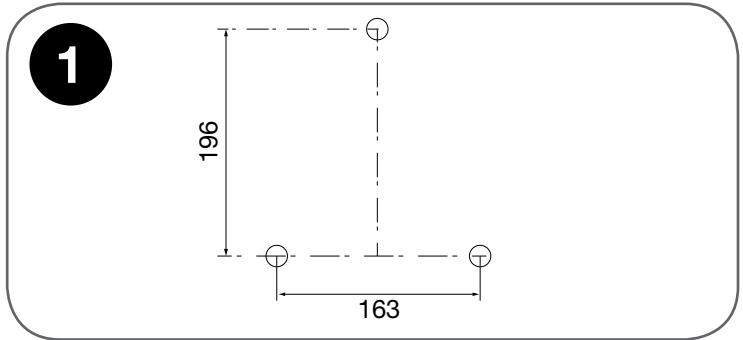


Installation Instructions - Columbus Galaxy



Mini-Max Galaxy						
Product Code:	FHBL965-090		FHBL965-160		FHBL965-210	
Base Colour	White or Black					
Diffuser Option	Clear	Opal	Clear	Opal	Clear	Opal
Lumen Output (Lumens)	950	520	1,525	830	1,800	990
System Power Consumption (W)	10	10	15	15	20	20
Colour Temperature (K)	4,000					
CRI (Ra)	84					
Life (L85 Hours)	30,000 (L70)					
Efficacy (Lumens Per Circuit Watt)	95	52	102	55	90	50

Circuit Breaker Type	No. of Products
C10	50
C13	65
C16	80
C20	100
B10	30
B13	39
B16	48
B20	60

SUITABLE FOR LOOPING IN



For more Information call 01420 470 400 email lighting@fernhoward.com or visit www.fernhoward.com