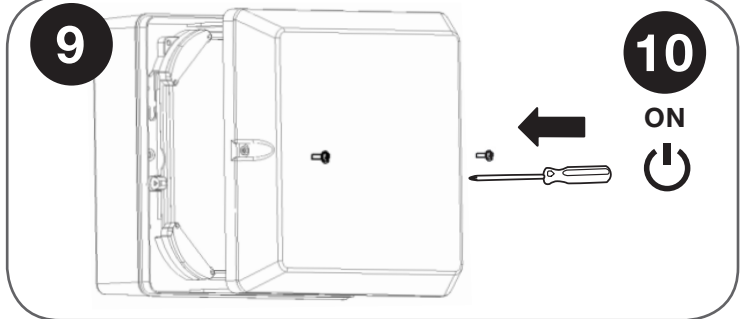
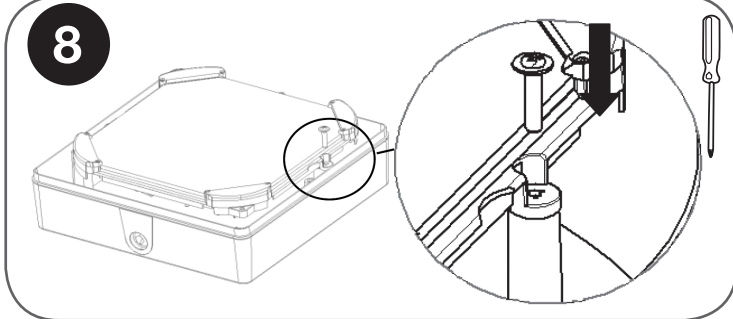
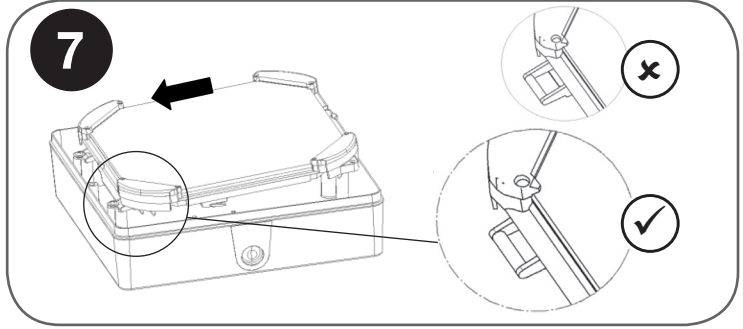
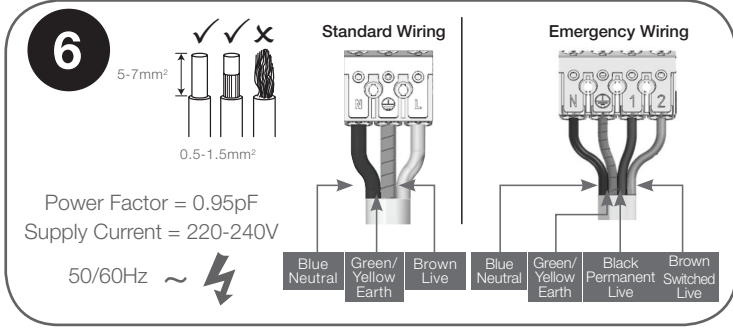
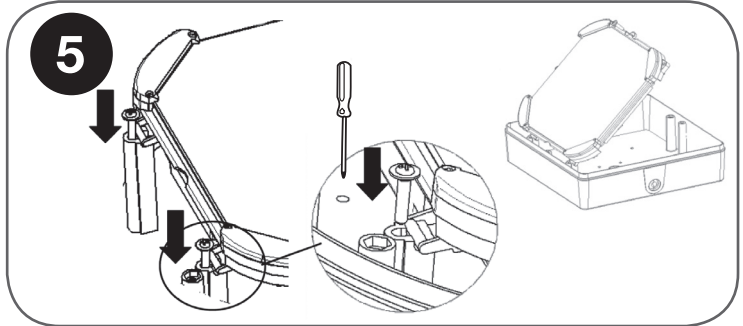
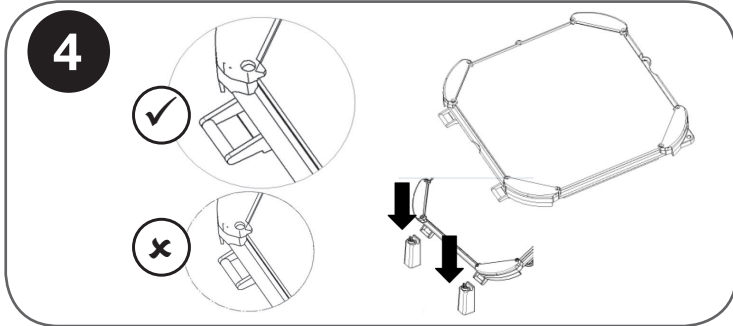
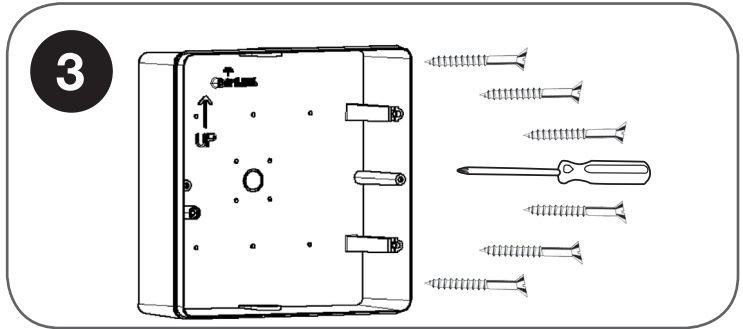
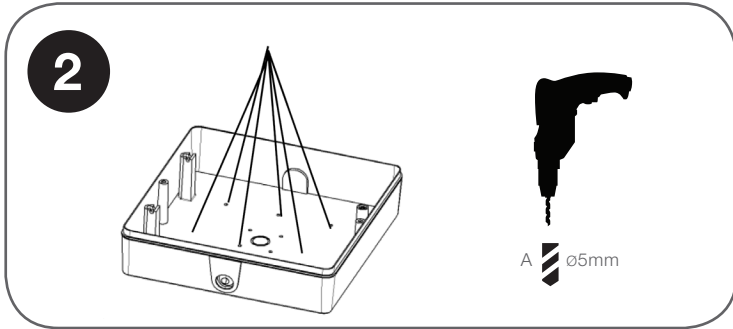
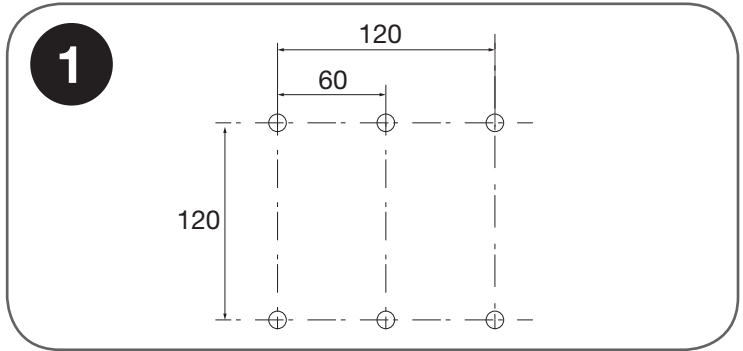


FHL449 Installation Instructions - Alleycat Square Corum



Circuit Breaker Type	No. of Products
C10	50
C13	65
C16	80
C20	100
B10	30
B13	39
B16	48
B20	60

Alleycat Square Corum		
Product Code:	FHML-9065-080	FHML-9065-140
Lumen Output (Lumens)	800	1,200
System Power Consumption (W)	10	20
Colour Temperature (K)	4000 K	
CRI (Ra)	80>	
Life (Hours)	30,000 (L70)	

NOT SUITABLE FOR LOOPING IN



For more Information call 01420 470 400 email lighting@fernhoward.com or visit www.fernhoward.com

Fern-Howard, 2 Newman Lane, Alton, Hampshire, GU34 2QR, United Kingdom.

FHL449 | ISSUE 1 | MAR2015

It is the responsibility of the installer to ensure correct installation. Fern-Howard do not accept any loss or damage to the product, private property and/or persons due to inadequate or incorrect installation. Fern-Howard reserve the right to alter the specifications and/or improve products without prior notice.