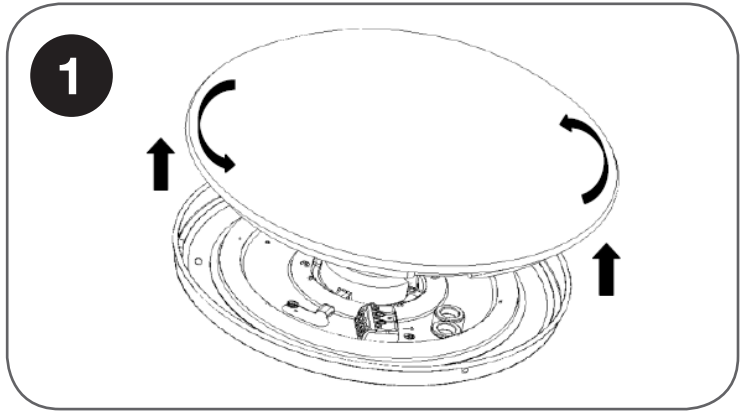


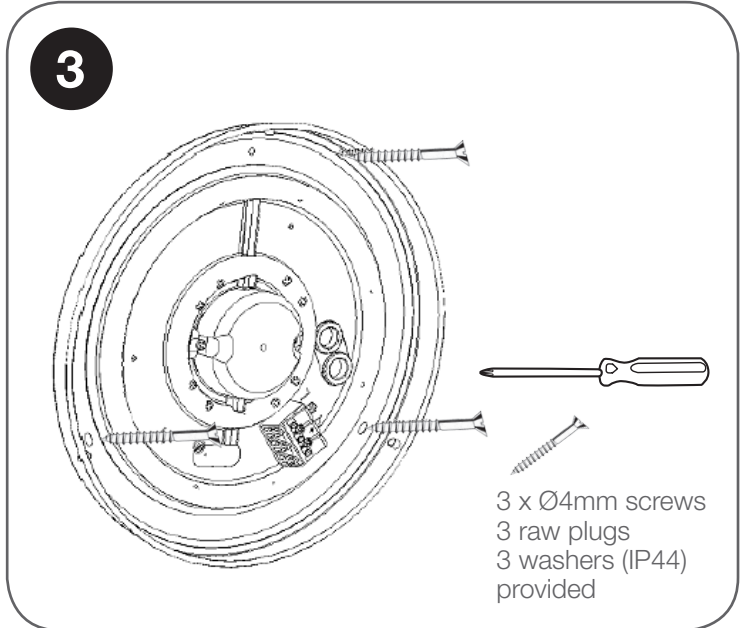
Installation Instructions - President LED



The light source contained in this luminaire shall only be replaced by the manufacturer or his service agent or a similar qualified person.



Fixing Hole detail (mm)	A	B	C	X	Y
FHBL147-XX-083	60	108	20	162	187
FHBL147-XX-110	62	165	21	194	224
FHBL147-XX-140	66	206	23	231	266

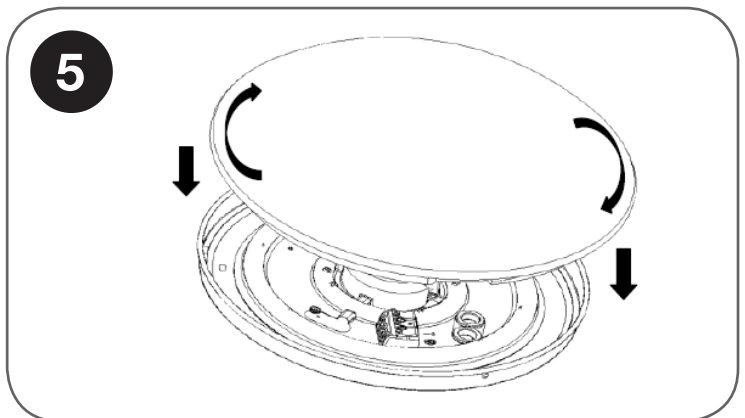


Power Factor = 0.5pF
Supply Current = 220-240V~
50/60Hz ~

5-7mm²
0.5-1.5mm²

SUITABLE FOR LOOPING IN

Blue = Neutral
Green/yellow = Earth
Brown = Live



Circuit Breaker Type	No. of Products
C10	12
C13	16
C16	20
C20	25
B10	6
B13	8
B16	10
B20	12

Part Ref	President		
	FHBL147-083	FHBL147-110	FHBL147-140
Lumen Output (lm)	830	1100	1400
System Power Consumption	10.5	14	18
Colour Temp (K)	4000		
CRI (Ra)	>80		

Operating Temperature -10°C to +25°C



For more Information call 01420 470 400 email lighting@fernhoward.com or visit www.fernhoward.com

Fern-Howard, 2 Newman Lane, Alton, Hampshire, GU34 2QR, United Kingdom.

FHL472 | PRES | ISSUE 1 | JUL2016

It is the responsibility of the installer to ensure correct installation. Fern-Howard do not accept any loss or damage to the product, private property and/or persons due to inadequate or incorrect installation. Fern-Howard reserve the right to alter the specifications and/or improve products without prior notice.