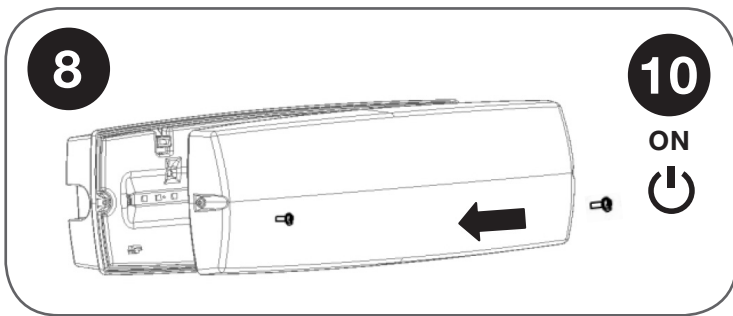
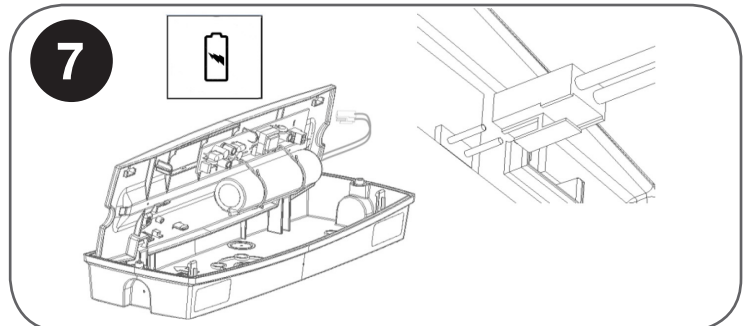
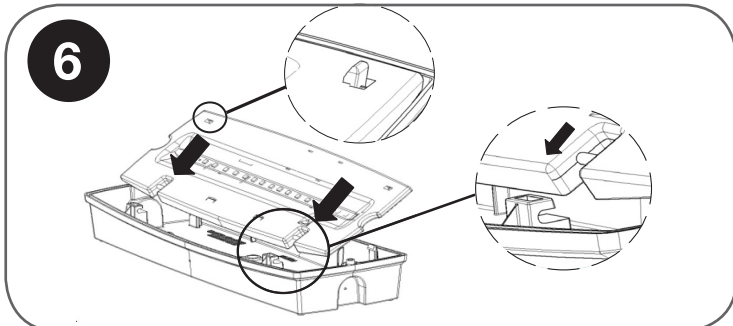
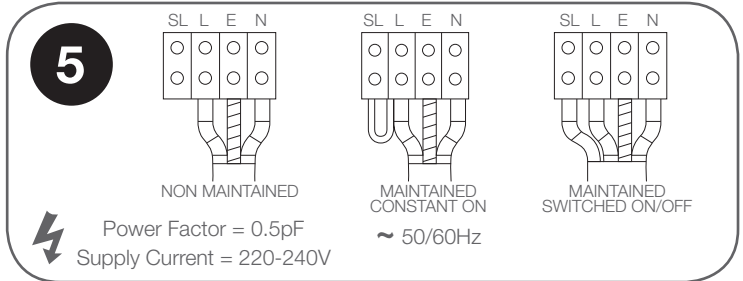
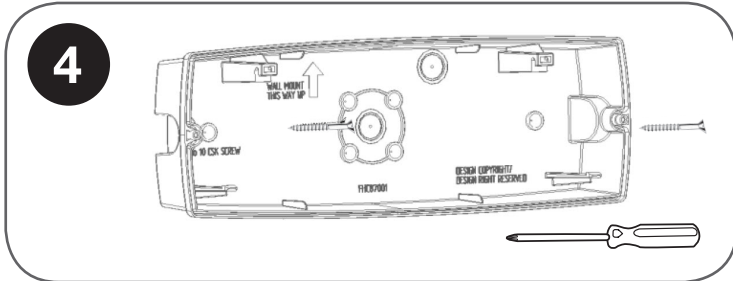
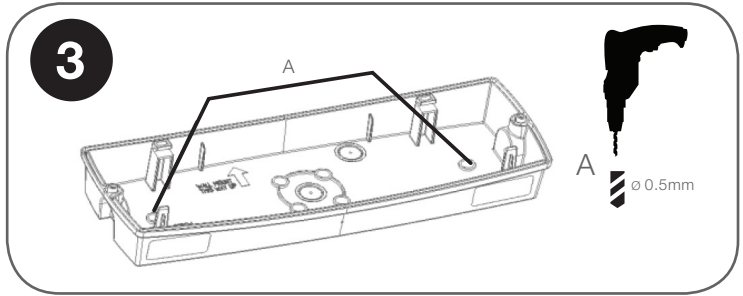
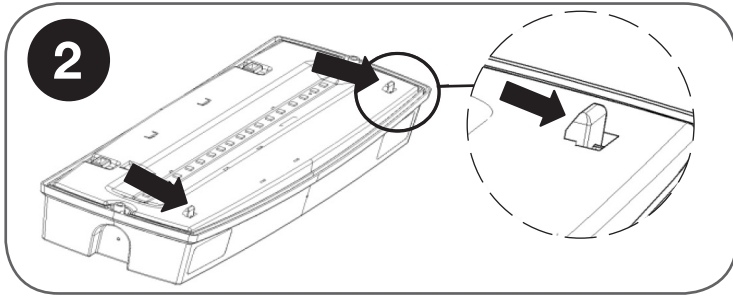
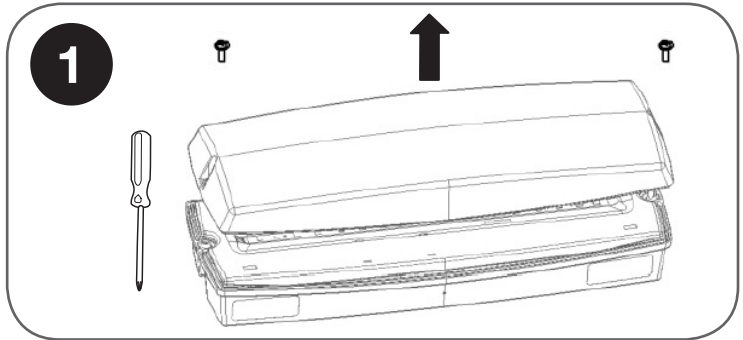
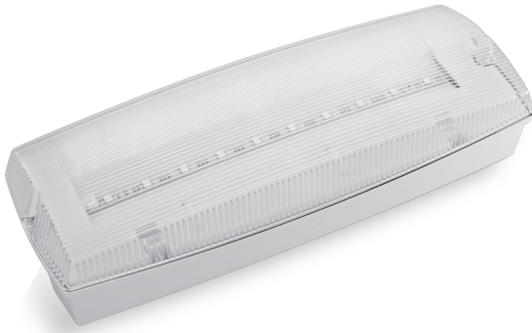


Installation Instructions - Exodus LED



X	0	**E**	180	Non-Maintained
X	1	**E**	180	Maintained
X	0	**E**G	180	Non-Maintained with Legend
X	1	**E**G	180	Maintained with Legend

Apply correct supplied label to unit

	EXODUS LED	Circuit Breaker Type	No. of Products
Part Ref	FHBL559	C10	50
Lumen output	250	C13	65
System Power Consumption	4	C16	80
Colour Temperature (K)	4000	C20	100
CRF (Ra)	>80	B10	30
Life (Hours)	30,000 (L70)	B13	39
Efficacy (Lm/W)	62.5	B16	48
Weight (kg)	1.1	B20	60
Dimensions (mm)	355 x 82 x 124	SUITABLE FOR LOOPING IN	



For more Information call 01420 470 400 email lighting@fernhoward.com or visit www.fernhoward.com

Fern-Howard, 2 Newman Lane, Alton, Hampshire, GU34 2QR, United Kingdom.

FHL457 | ISSUE 4 | FEB2016

It is the responsibility of the installer to ensure correct installation. Fern-Howard do not accept any loss or damage to the product, private property and/or persons due to inadequate or incorrect installation. Fern-Howard reserve the right to alter the specifications and/or improve products without prior notice.