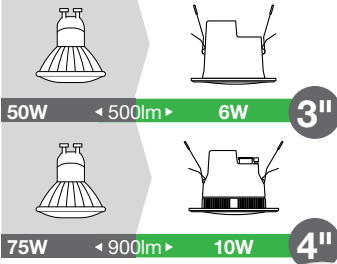


# FOTINI 3&4

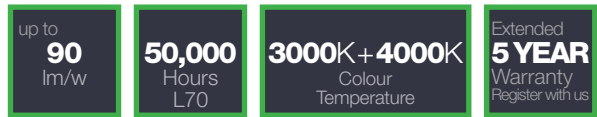
Integrated LED Downlights

HALOGEN GU10 LED



Wide angle LED Downlight that creates better, evenly-lit spaces.

Don't just replace existing GU10 downlights, but improve the lighting at the same time. Fotini LED Downlights feature a wide 120° beam angle that provides uniform light distribution and eliminates spottiness or dark patches.



## FEATURES & BENEFITS

- Available in two sizes: Ø100mm/3" and Ø120mm/4"
- Available in Warm White - 3000K and Natural White - 4000K
- Lightweight Polymer construction is designed to deliver superior thermal management for a consistent performance
- White bezel fits with ceiling colour
- Enhanced optics and consistent beam angle

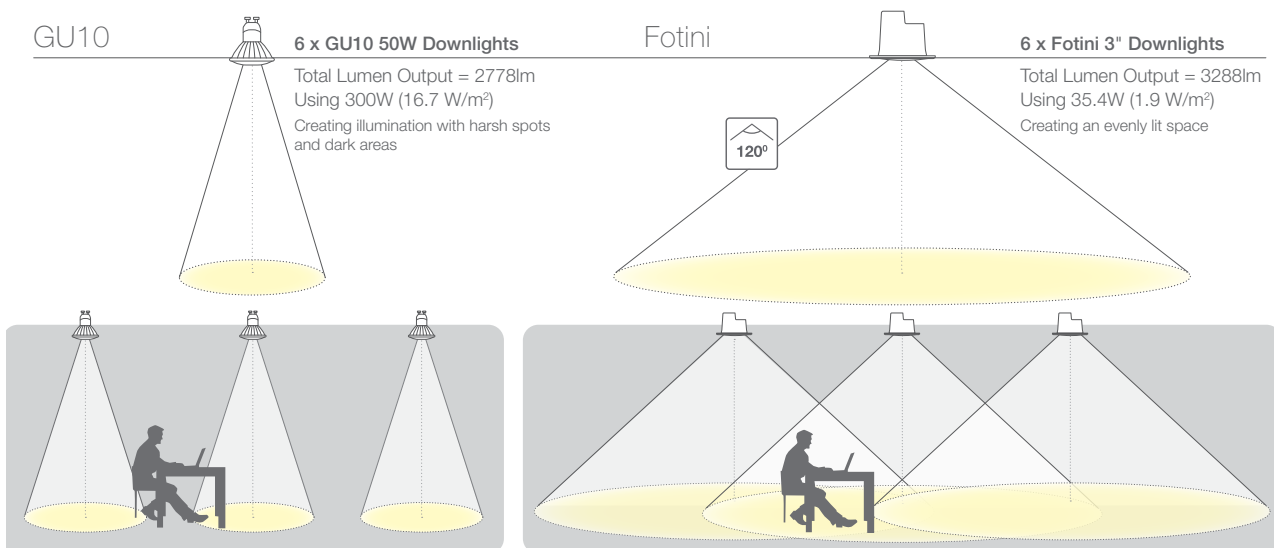
## SIMPLE TO INSTALL AND USE

- Integrated LED driver for quick, easy installation
- Easy to clean wipeable surface

## TYPICAL APPLICATIONS

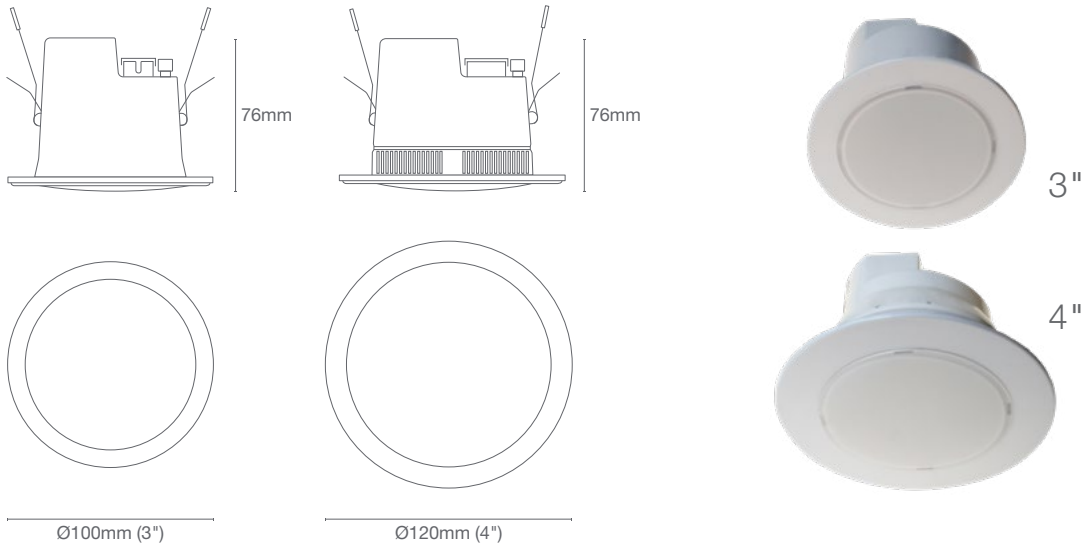
Ideal for a wide range of commercial and residential applications, including corridors.

## Create even light output and huge energy savings



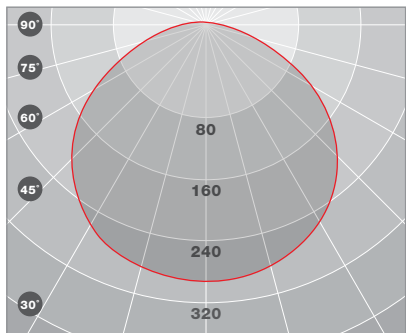
# FOTINI 3&4

## TECHNICAL INFORMATION



<b>CRI</b>	>80	<b>Weight (g)</b>	3" 216	4" 232	<b>Mounting Type</b>	Recessed Ceiling
<b>Colour Temperature</b>	3000K Warm White 4000K Natural White	<b>Dimensions (mm)</b>	Ø100 x 76	Ø120 x 76	<b>Operating Range</b>	Interior
<b>Beam Angle</b>	120°	<b>Cut-Out Size (mm)</b>	Ø75-92	Ø85-110	<b>Design Life</b>	50,000 hours
<b>Power Factor</b>	>0.9	<b>Finish</b>	White Bezel		<b>Basic Warranty</b>	3 years
<b>Voltage</b>	100-285				<b>Extended Warranty (Register with us!)</b>	5 years
					<b>Classification</b>	IP20 Class II

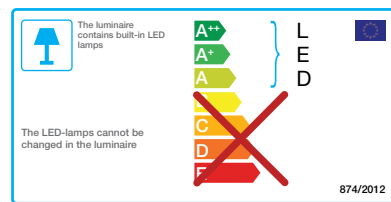
## LIGHT DISTRIBUTION



cd/klm  $\eta = 100\%$   
 — C0 / C180 — C90 - C270

Photometric files at [www.fernhoward.com](http://www.fernhoward.com)

## STANDARDS



Product Code	Description	Colour Temperature	Size (mm)	Cut out Size (mm)	Lumen Output (lm)	Power (W)	Efficacy (lm/W)
FHBL601-050-3K-W-OP	3" LED Downlight	3000	Ø100 x 76	Ø75 - 92	500	6	83
FHBL601-050-4K-W-OP		4000					
FHBL601-090-3K-W-OP	4" LED Downlight	3000	Ø120 x 76	Ø85 - 110	900	10	90
FHBL601-090-4K-W-OP		4000					

Luminaires are manufactured and tested in accordance with BS EN60598.  
 Incorporated control gear and components comply with BS/VE standards.  
 Luminaires are tested in accordance with IES LM-79-08.

Fern-Howard Ltd, 2 Newman Lane, Alton, Hampshire, GU34 2QR, UK. Call +44 (0)1420 470 400 or email [lighting@fernhoward.com](mailto:lighting@fernhoward.com)  
 Registered in England Reg. No. 3202749. We reserve the right to alter specifications without notice in accordance with our policy of continuous product improvement. Design and copyright reserved and our standard Term & Conditions apply. Full details of our warranty can be found on our website.