

FOTINI 6

Integrated LED Downlight



Versatile LED Downlight that fits into cut-outs ranging from 105 to 150mm

Replace almost any GU10 or CFL downlight - the Fotini 6 LED Downlight uses a clip system allowing it to be fitted into most pre-existing cut-outs even covering damaged edges from previous fittings.



100
lm/w

50,000
Hours
L70

3000K+4000K
Colour
Temperature

Extended
5 YEAR
Warranty
Register with us

FEATURES & BENEFITS

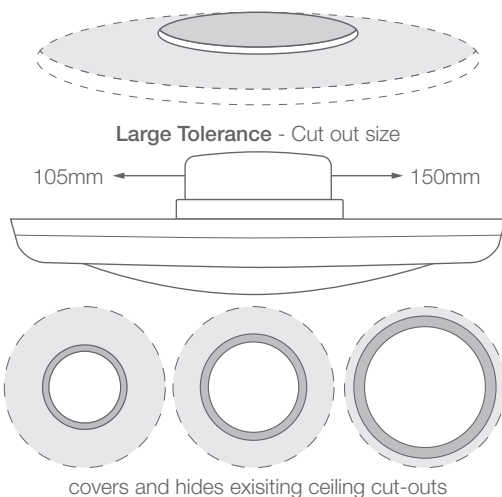
- Available in Warm White - 3000K and Natural White - 4000K
- Lightweight Polymer construction is designed to deliver superior thermal management for a consistent performance
- White bezel fits with ceiling colour
- Enhanced optics and consistent beam angle
- Fotini LED Downlights are the ideal replacement for Halogen or Fluorescent Downlights, they offer an even light output, huge energy savings with a long lifetime

SIMPLE TO INSTALL AND USE

- Integrated LED driver for quick, easy installation
- Easy to clean wipeable surface
- The Fotini's versatility allows for uniform light fittings to be installed where a mix of cut-outs exist across a ceiling

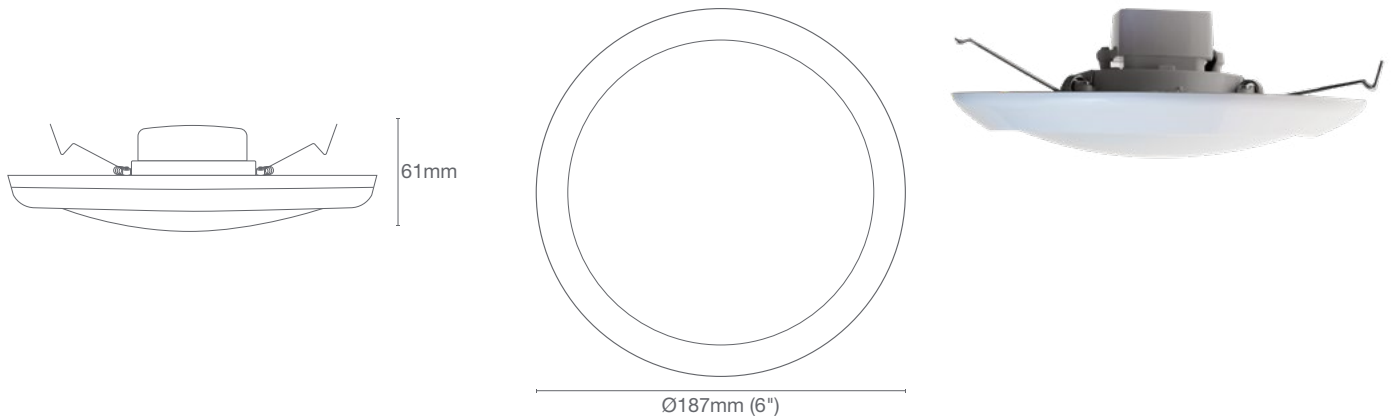
TYPICAL APPLICATIONS

Ideal for a wide range of commercial and residential applications.



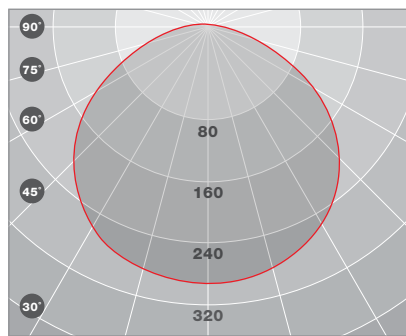
FOTINI 6

TECHNICAL INFORMATION



CRI	>80	Weight (g)	282	Mounting Type	Recessed Ceiling
Colour Temperature	3000K Warm White 4000K Natural White	Dimensions (mm)	Ø187 x 61	Operating Range	Interior
Beam Angle	120°	Cut-Out Size (mm)	Optimum: Ø130-140 Full Range: Ø105-150	Design Life	50,000 hours
Power Factor	>0.9	Finish	White Bezel	Basic Warranty	3 years
Voltage	100-285			Extended Warranty (Register with us!)	5 years
				Classification	IP20 Class II

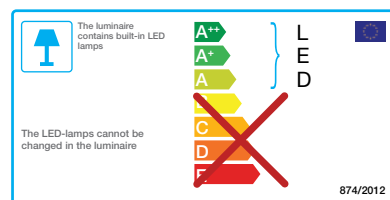
LIGHT DISTRIBUTION



cd/klm η = 100%
 — C0 / C180 — C90 - C270

Photometric files at www.fernhoward.com

STANDARDS



Product Code	Description	Colour Temperature (K)	Size (mm)	Cut out Size (mm)	Lumen Output (lm)	Power (W)	Efficacy (lm/W)
FHBL601-140-3K-W-OP	6" LED Downlight	3000	Ø187 x 61	Ø105 - 150	1400	14	100
FHBL601-140-4K-W-OP		4000					

Luminaires are manufactured and tested in accordance with BS EN60598.
 Incorporated control gear and components comply with BS/VDE standards.
 Luminaires are tested in accordance with IES LM-79-08.

Fern-Howard Ltd, 2 Newman Lane, Alton, Hampshire, GU34 2QR, UK. Call +44 (0)1420 470 400 or email lighting@fernhoward.com
 Registered in England Reg. No. 3202749. We reserve the right to alter specifications without notice in accordance with our policy of continuous product improvement. Design and copyright reserved and our standard Term & Conditions apply. Full details of our warranty can be found on our website.