

SABRE300

LED Recessed Ceiling Luminaire

FernHoward
Lighting



Recessed ceiling luminaire featuring an inset EdgeLED™ light panel that produces pleasant and perfectly uniform light with low glare.

Its exceptional optical efficiency and light distribution reduce the number of fixtures required in a typical installation.



FEATURES

- Highly energy efficient EdgeLED™ optical system with a life span of 30,000 hours (L70)
- Managed light distribution through MicroLens® technology from Rambus delivers best in class optical efficiency
- Contemporary injection moulded housing in white
- Easy to clean wipe-over surface
- Drastically reduced running and maintenance costs
- Qualifying for ECA support

TYPICAL APPLICATIONS

The Sabre300 is the perfect solution for commercial interiors, large circulation areas and meeting rooms.

SUITABLE FOR

retrofit, refurbishment or new build

- Integral driver and pre-wired terminal block
- Slim profile (84mm)
- Suitable for T-bar ceiling grids
- Mounting accessories available for different ceiling types: surface mount box, suspension kit, recessed ceiling frame and metal pan ceiling tile

Standard **Light Management Options** are available, including 3h Emergency, Auto Test, Microwave Sensor, DALI, Dimming and Corridor Function.



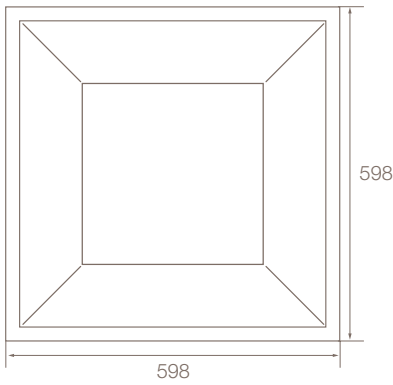
Designed and Manufactured in the UK

For more Information call 01420 470 400 email lighting@fernhoward.com or visit www.fernhoward.com

SABRE300



TECHNICAL INFORMATION



Dimensions:

Ø 598 x 598mm

Weight:

3.6kg

Mounting type:



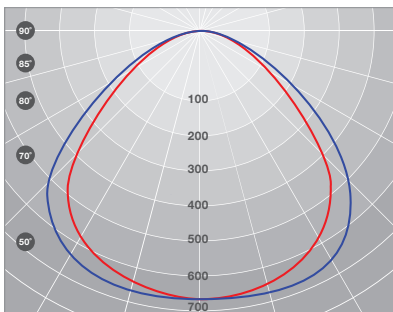
Base Colour Options:



Diffuser Options:



LIGHT DISTRIBUTION



cd/klm

$\eta = 100\%$

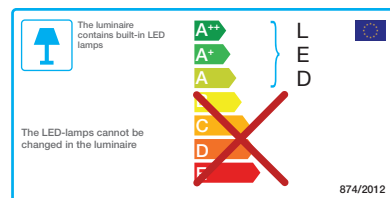
— C0 - C180

— C90 - C270

Opal Diffuser

Photometric files at www.fernhoward.com

STANDARDS



SABRE300

ORDERING GUIDE

Standard Product Code	Light Management Options Suffix*								Performance Data		
	DALI	Dimming	Corridor Function	3hr Emergency	Self-Test	DALI Emergency	Microwave Sensor	Photocell	Lumen Output Lm	Wattage W	Efficacy Lm/W
SABRE300											
FHML300-250	DA	DIM	CF	EM	AT	DAEM	MS	-	3,000	35	86



Example Code: Sabre300 35W with Corridor Function and Emergency

*Most combinations are possible except the following:

- DA & DIM - Dimming and DALI cannot be combined
- AT & EM - AT represents Self-Test Emergency configuration
- DA = DALI on Mains Driver only, DAEM = DALI on Emergency Driver only
DA and DAEM can be combined

30,000
Hours
L70

>85
CRI (Ra)

4,000K
Colour
Temperature

Extended
5 YEAR
Warranty
Register with us

Fern-Howard products are manufactured in the UK at our modern factory in Alton, Hampshire. Luminaires are manufactured and tested in accordance with BS EN60598. Incorporated control gear and components comply with BS/VDE standards. Luminaires are tested in accordance with IES LM-79-08.