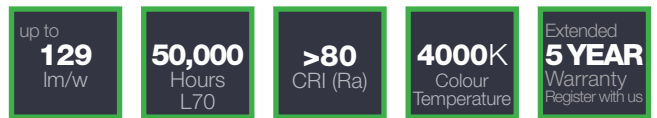


# TROJAN SQUARE

Galaxy LED Bulkhead



A cost-effective range of robust, IP65 rated LED Bulkheads. The rigidly constructed base and screwed-down diffuser protect the Trojan against abuse.



## FEATURES

- Energy efficient LED gear tray
- IP65 – formed-in-place foam gasket protects against dust and water
- Flush fit to fixing surface ensures vandal resistance
- Robust Polycarbonate body in black or white
- Clear or opal polycarbonate diffuser
- Retained diffuser screws
- Security screws available

## SIMPLE TO INSTALL AND USE

- Hinged LED gear tray and Time-in-a-Box packaging for swift and easy installation
- BESA box fixing points for easy cable entry
- Wall or ceiling mountable
- Exterior or interior use



## TYPICAL APPLICATIONS

Ideal for internal and external applications, where durability and longevity are required, such as

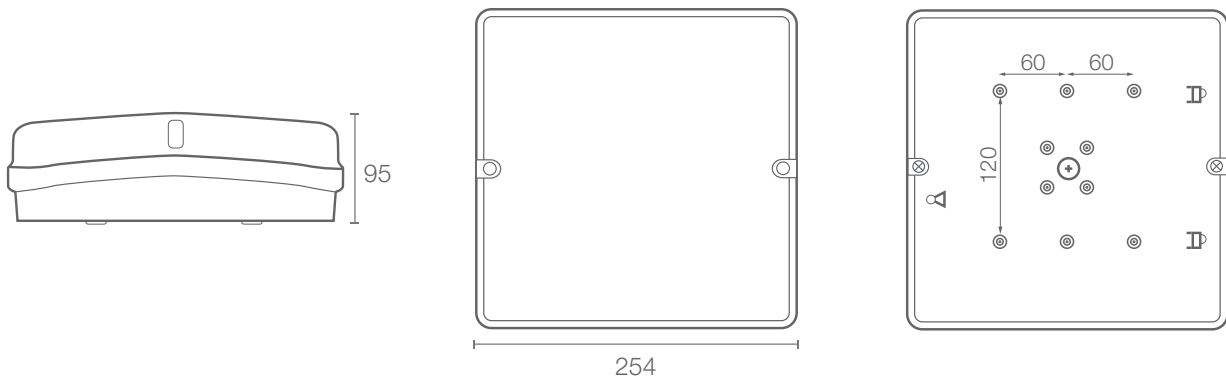
- Youth centres
- Housing associations and social housing
- Sports areas
- Public walkways
- Car parks



# TROJAN SQUARE GALAXY LED



## TECHNICAL INFORMATION



### Dimensions:

254 x 254 x 95mm

### Weight:

1.2kg

### Mounting type:



Wall



Ceiling



Interior



Exterior

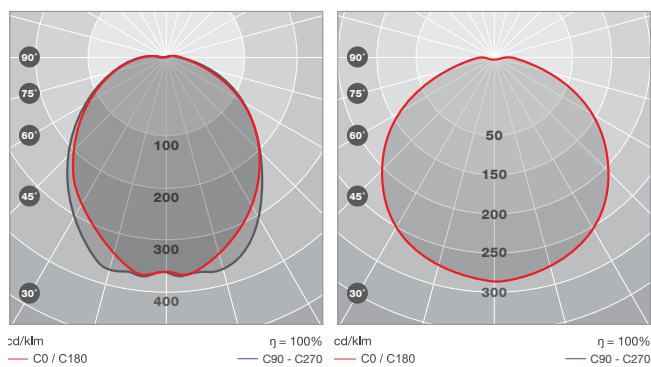
### Base Colour Options:

- White base  
RAL 9003
- Black base  
RAL 9005 50% gloss

### Diffuser Options:

- Clear Diffuser
- Opal Diffuser

## LIGHT DISTRIBUTION

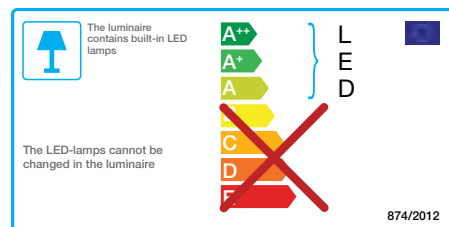


Clear Diffuser

Opal Diffuser

Photometric files at [www.fernhoward.com](http://www.fernhoward.com)

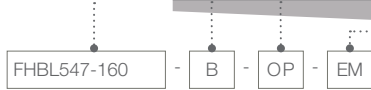
## STANDARDS



# TROJAN SQUARE GALAXY LED

## ORDERING GUIDE

Standard Product Code	Light Management Options Suffix*										Performance Data		
	Base Colour	Diffuser Option	DALI	Dimming	Corridor Function	3hr Emergency	Self-Test	DALI Emergency	Microwave Sensor	Photozell	Lumen Output lm	Wattage W	Efficacy lm/W
<b>Trojan Square Galaxy LED</b>													
FHBL547-090	B/W	CL	DA	DIM	CF	EM	AT	DAEM	MS	PH	950	10	95
	B/W	OP	DA	DIM	CF	EM	AT	DAEM	MS	PH	600	10	60
FHBL547-160	B/W	CL	DA	DIM	CF	EM	AT	DAEM	MS	PH	1520	15	101
	B/W	OP	DA	DIM	CF	EM	AT	DAEM	MS	PH	980	15	65
FHBL547-210	B/W	CL	DA	DIM	-	EM	AT	DAEM	MS	PH	1800	20	90
	B/W	OP	DA	DIM	-	EM	AT	DAEM	MS	PH	1180	20	59



Example Code: Trojan Sqaure 15W, Black, Opal with Emergency

\*Most combinations are possible except the following:

- DA & DIM - Dimming and DALI cannot be combined
- AT & EM - AT represents Self-Test Emergency configuration
- DA = DALI on Mains Driver only, DAEM = DALI on Emergency Driver only  
DA and DAEM can be combined

### Lumen Output in EM:

Clear diffuser - 400lm

Opal diffuser - 330lm

**50,000**  
Hours  
L70

**>80**  
CRI (Ra)

**4000K**  
Colour  
Temperature

Luminaires are manufactured and tested in accordance with BS EN60598.  
Incorporated control gear and components comply with BS/VE standards.  
Luminaires are tested in accordance with IES LM-79-08.